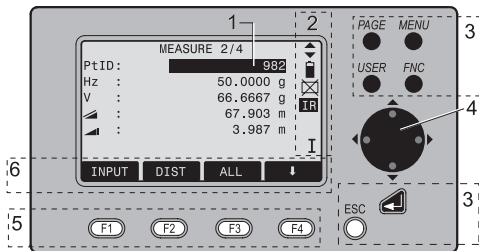


Directstart with Station

1. Switch instrument on (On/Off key on the side panel).
2. Press function key [STATION] (if required, switch to correct level with **F4**).
3. Enter station data and confirm with [OK].
4. Start measurement with [DIST] / [REC] or [ALL].


Keypad



- 1) Focus: Actively measured field.
- 2) Symbols
- 3) Fixed keys: Keys with firmly assigned functions.
- 4) Navigation keys: Control of input bar in edit and input mode or control of focus bar.

- 5) Function keys: Are assigned the variable functions displayed at the bottom of the screen.
- 6) Softkey bar: Displays functions that can be called up with the function keys.

Fixed keys

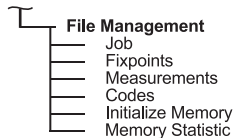
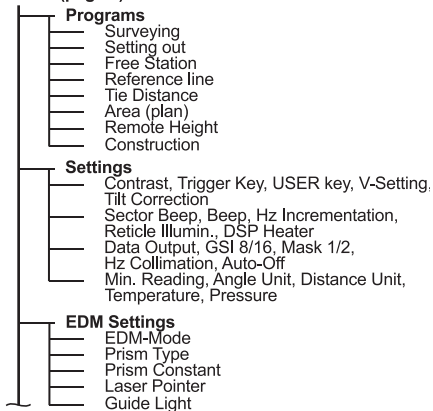
- [PAGE] Scrolls to next page when a dialogue consists of several pages.
- [MENU] Accesses programs, settings, the data manager, adjustments, communications parameters, system information and data transfer.
- [USER] Key, programmable with function from the FNC menu.
- [FNC] Quick-access to measurement-supporting functions.
- [ESC] Quit a dialog or the edit mode with activation of the "previous" value. Return to next higher level.
-  Confirm an input; continue to the next field.

Menu tree

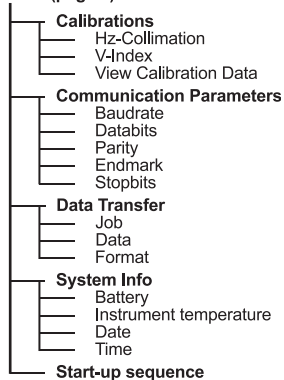
[MENU] > **F1** - **F4** Confirm menu selection.

[PAGE] Scroll to next page.

Menu (page 1)

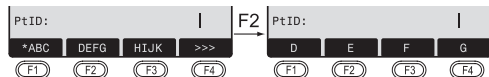


Menu (page 2)

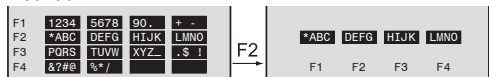


Input mode

Method 1:



Method 2:




[INPUT] 1. Delete entry, display numeric/ alphanumeric softkey bar.


F1 - **F3** 2. Selection of range of characters/ numbers.

[>>>] Additional characters/ numbers.

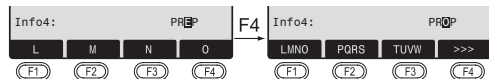
F1 - **F4** 3. Select the desired character.

 4. Confirm input.


[ESC] Deletes input and restores previous value.


 The method you like to use can be set in the settings.

Edit mode



1. Start edit mode.


 Edit bar is positioned flush right.

 Edit bar is positioned flush left.

F1 - **F3** 2. Select range of characters/ numbers.


[>>>] Additional characters/ numbers.


F1 - **F4** 3. Overwrite existing characters.

 4. Confirm input.

[ESC] Deletes input and restores previous value.

Erasing characters

 1. Place cursor on character to be deleted.

 2. Pressing the navigation key deletes the relevant character.

 3. Confirm input.


[ESC] Deletes input and restores previous value.

Inserting characters

If a character was skipped (e.g. -15 instead of -125) you can insert it later.




 1. Place cursor on "1".

 2. Inserts an empty character on the right of "1".

F1 - **F3** 3. Select range of characters /range of numbers.

F1 - **F4** 4. Select relevant character.

 5. Confirm input.


EDM Mode

With TCR instruments different settings for measurements with visible (RL) and invisible (IR) EDM type are available.

Depending on selected measuring mode the selection prism types are different.

IR-Fine	Fine measuring mode for high precision measurements with prisms (2mm + 2 ppm)
IR-Fast	Quick measuring mode with higher measuring speed and reduced accuracy (5mm + 2 ppm)
IR-Track	Continuous distance measuring (5mm + 2 ppm)
IR-Tape	Distance measurement using Retro targets (5mm + 2 ppm)

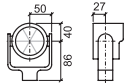
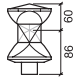

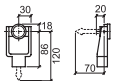
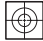
RL-Short	Short range. For distance measurements without prisms with a target distance up to 80 m (3mm + 2 ppm)
RL-Track	Continuous distance measurement without prisms (5mm + 2 ppm)
RL-Prism	Long range. For distance measurements with prisms (5mm + 2 ppm)

 With the RL-EDM each object in the beam is measured (possibly also branches, cars, etc.).

Prism type

4

Calling the function in the EDM settings.

Leica Prisms	Constants [mm]	
Standard prism GPH1 + GPR1	0.0	
360° prism GRZ4	+23.1	
360° Mini prism GRZ101	+30.0	
Miniprism GMP101/102	+17.5	
JPMINI	+34.4	Mini prism
Reflective targets	+34.4	
USER	--	is set at "Prismconst" (-mm + 34.4; e.g.: mm = 14 -> input = -14 + 34.4 = 20.4)
RL	+34.4	Reflectorless

732582-2.0.0en

Leica Geosystems AG
CH-9435 Heerbrugg (Switzerland)
Phone +41 71 727 31 31
Fax +41 71 727 46 73
www.leica-geosystems.com

Leica
Geosystems